

Service manual

WW PROFILE

19 DEG HD LENS FOR LED PROFILE

26 DEG HD LENS FOR LED PROFILE

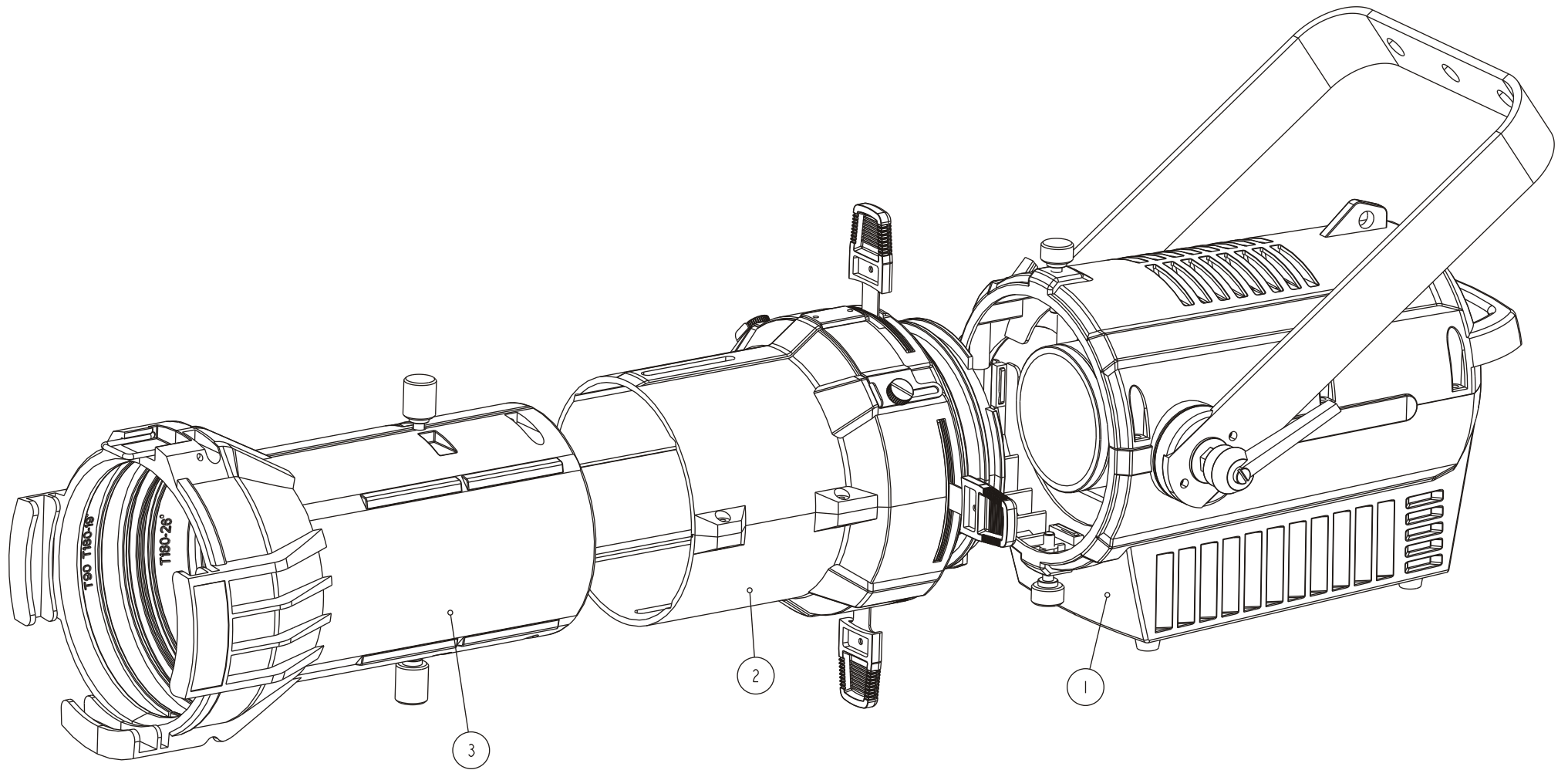
36 DEG HD LENS FOR LED PROFILE

50 DEG HD LENS FOR LED PROFILE

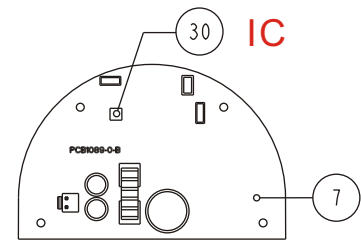
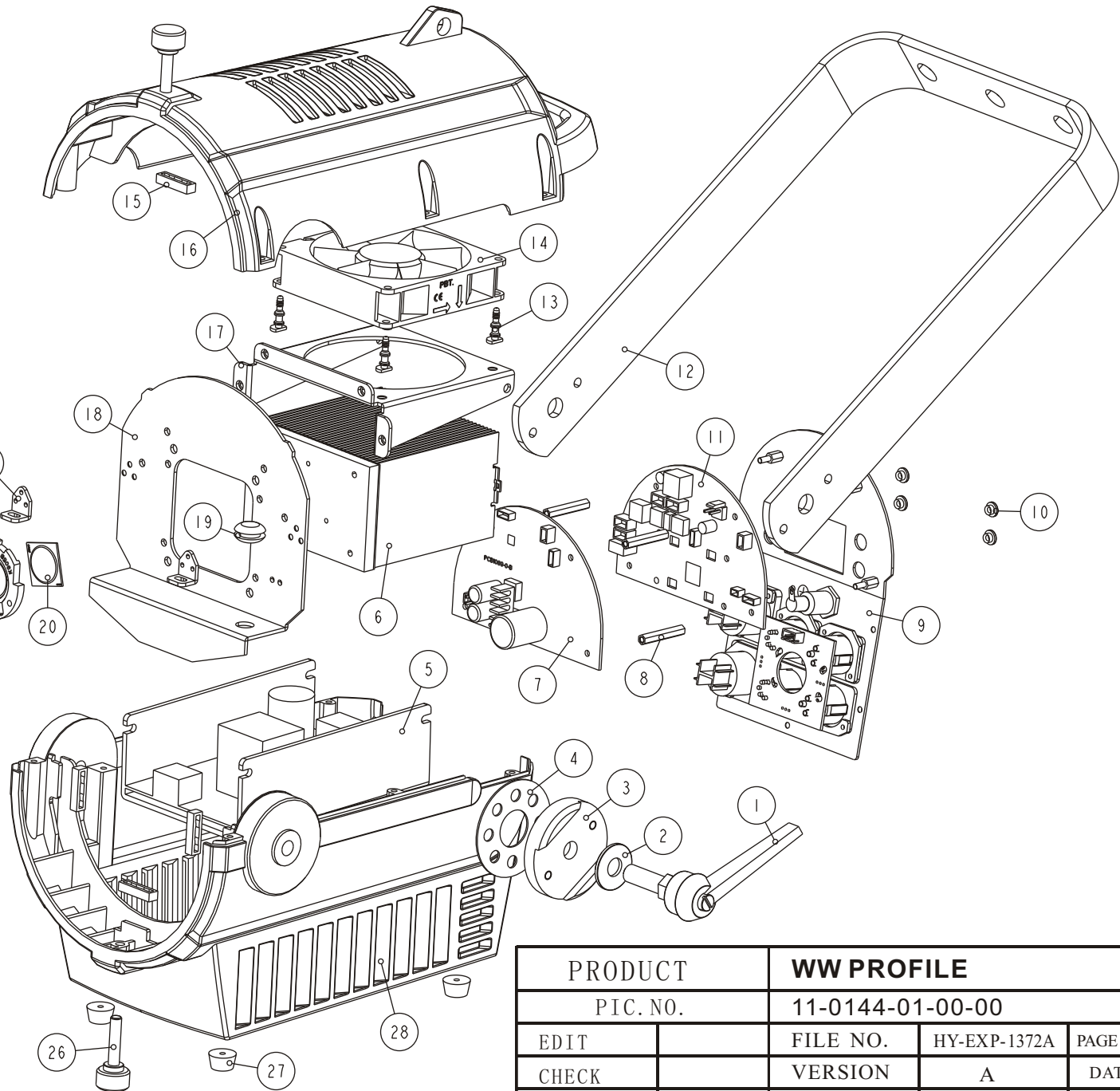
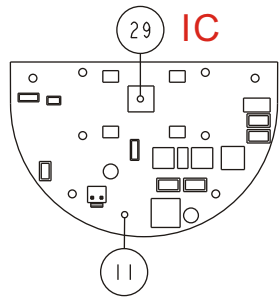
- ✂ Exploded Diagrams
- ✂ Circuit Diagrams
- ✂ Wiring Diagrams
- ✂ Parts List



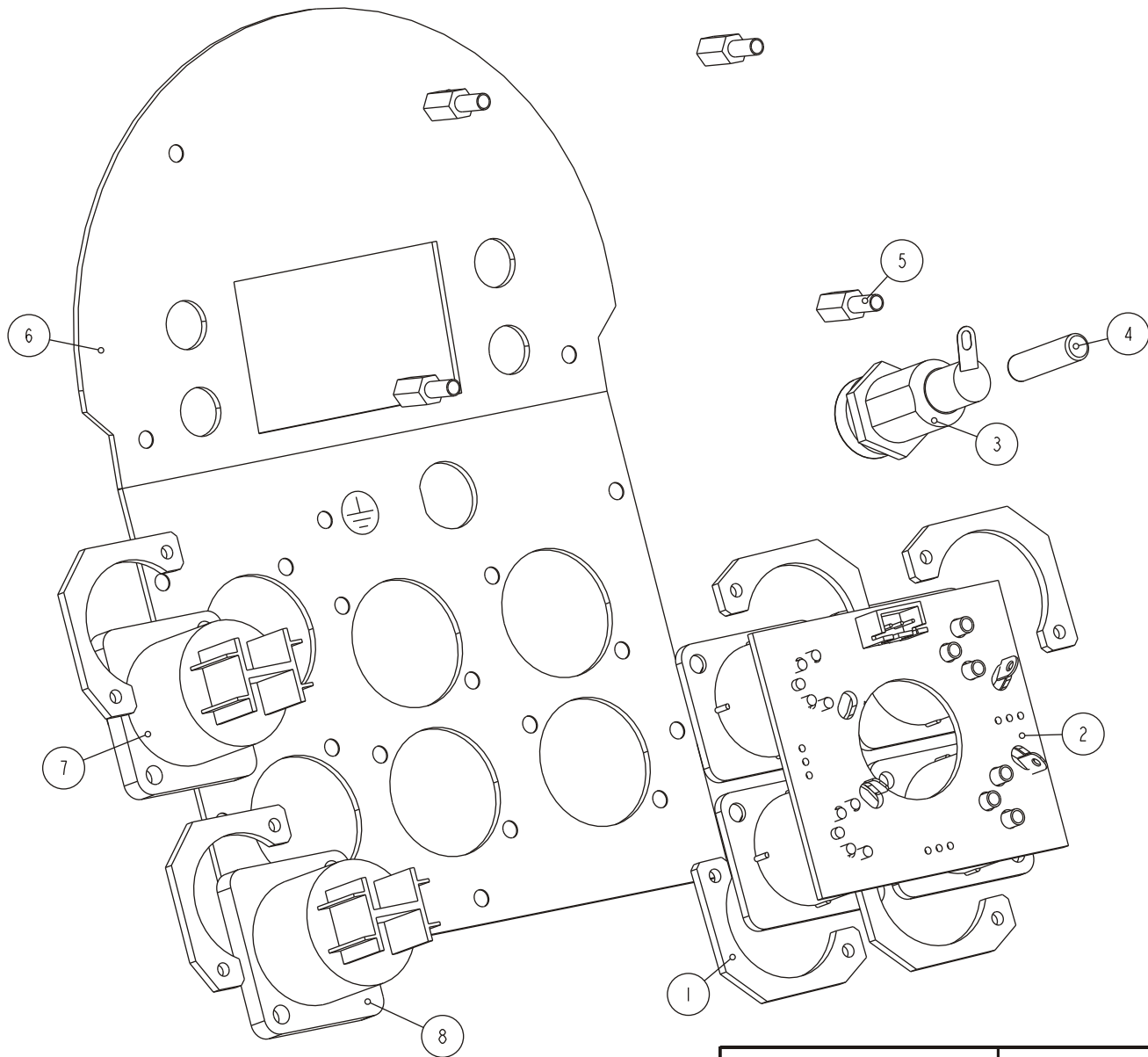
PRODUCT		WW PROFILE		
PIC. NO.		Front Page	Series No.	N/A
EDIT		FILE NO.	HY-EXP-1372A	
CHECK		ORDER NO.	So20144178	
APPROVE		VERSION	A	SOFTWARE VER. V1.0.1



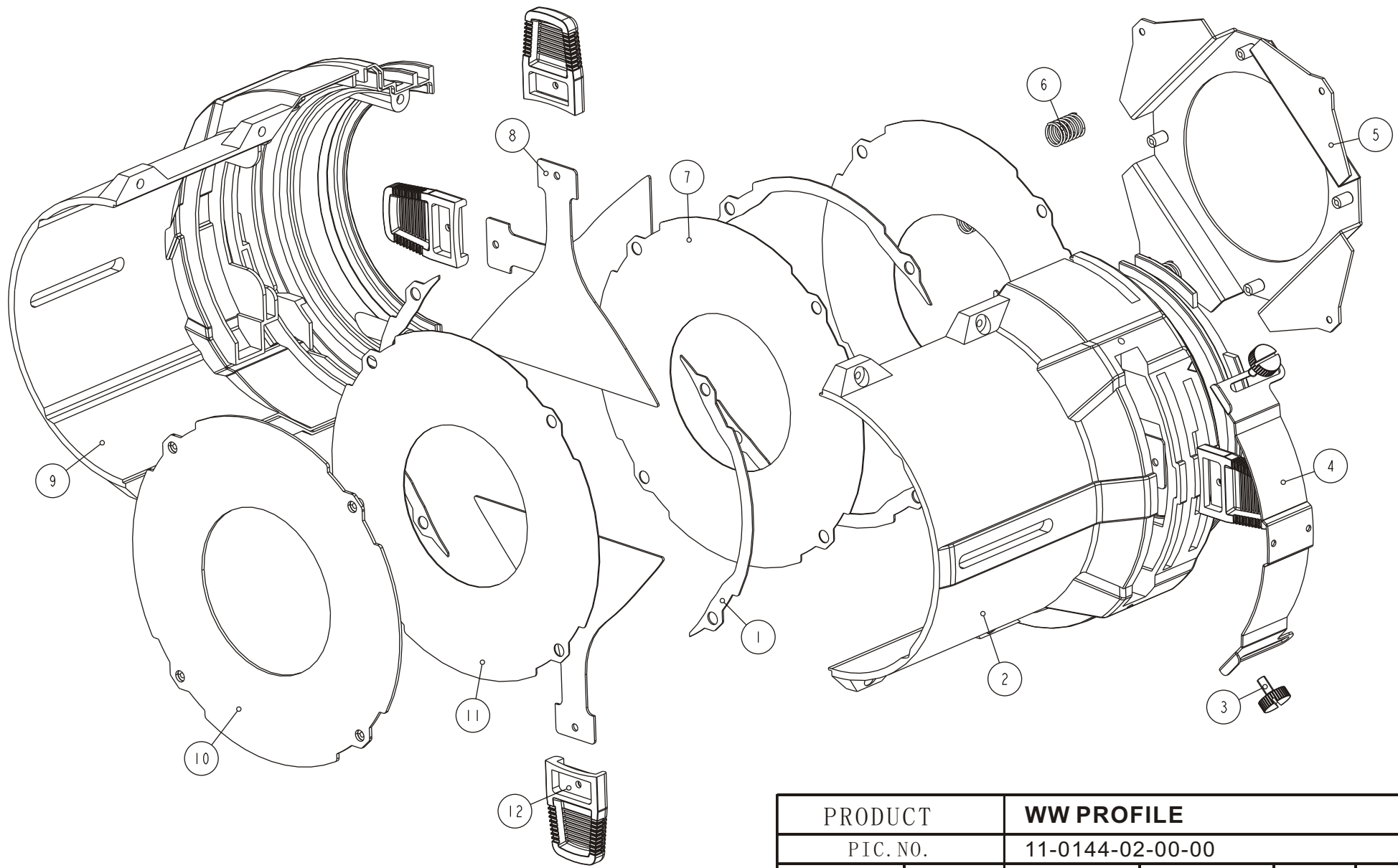
PRODUCT		WW PROFILE			
PIC. NO.		11-0144-00-00-00			
EDIT		FILE NO.	HY-EXP-1372A	PAGE NO.	1/9
CHECK		VERSION	A	DATE	2015.5.25
APPROVE		ECN NO.		DATE	



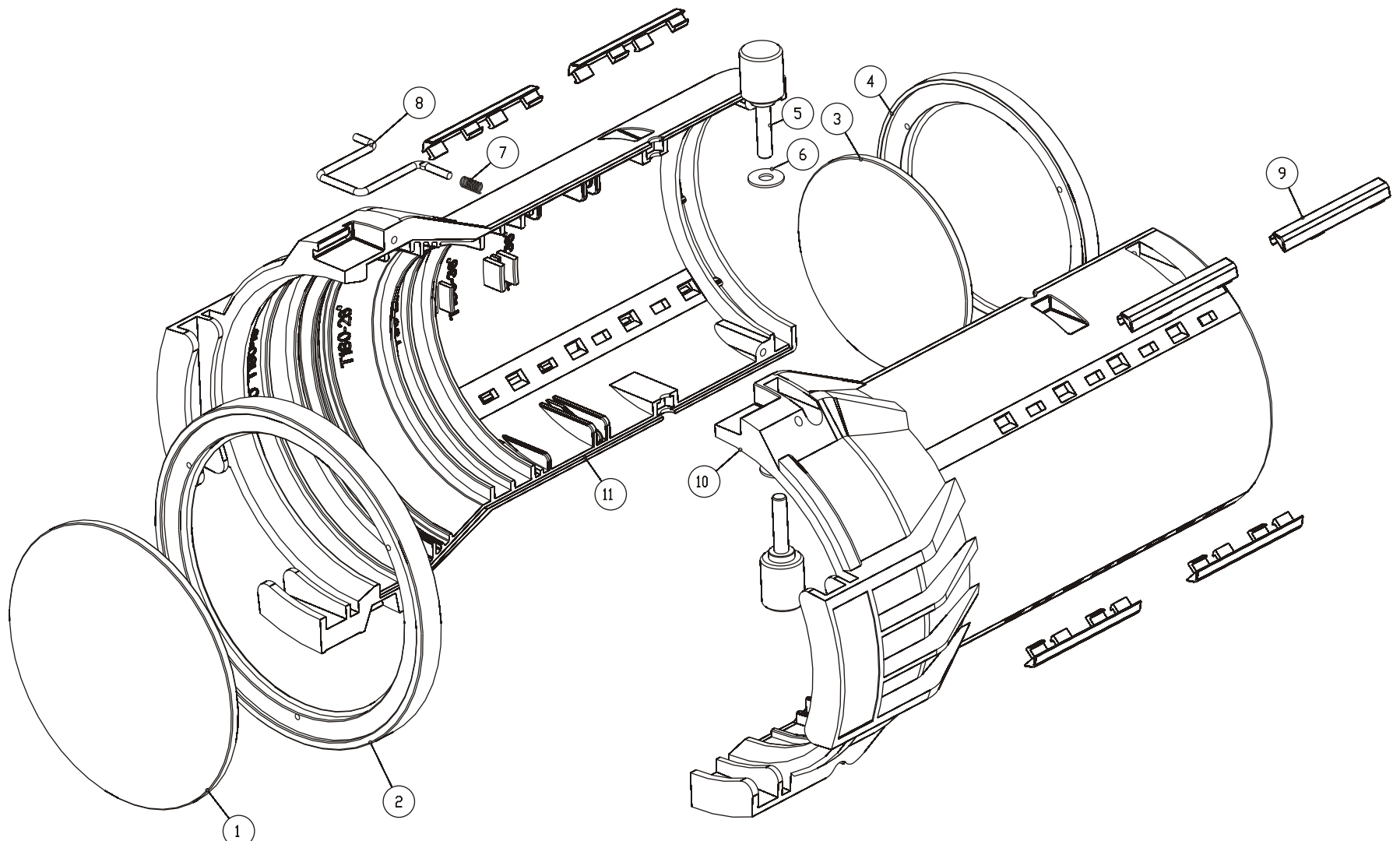
PRODUCT		WW PROFILE			
PIC. NO.		11-0144-01-00-00			
EDIT		FILE NO.	HY-EXP-1372A	PAGE NO.	2/9
CHECK		VERSION	A	DATE	2015.5.25
APPROVE		ECN NO.		DATE	



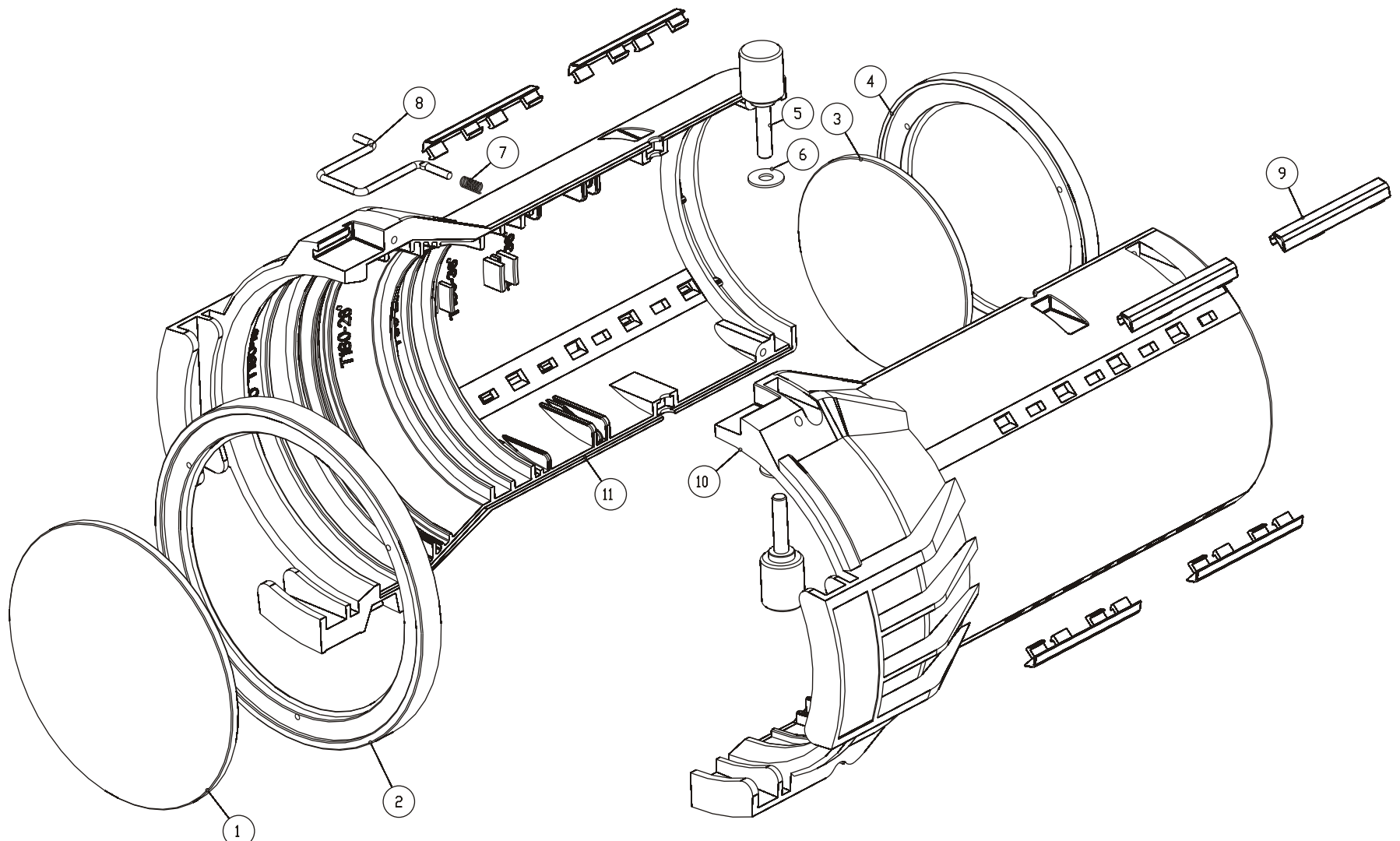
PRODUCT		WW PROFILE			
PIC. NO.		11-0144-01-02-00			
EDIT		FILE NO.	HY-EXP-1372A	PAGE NO.	3/9
CHECK		VERSION	A	DATE	2015.5.25
APPROVE		ECN NO.		DATE	



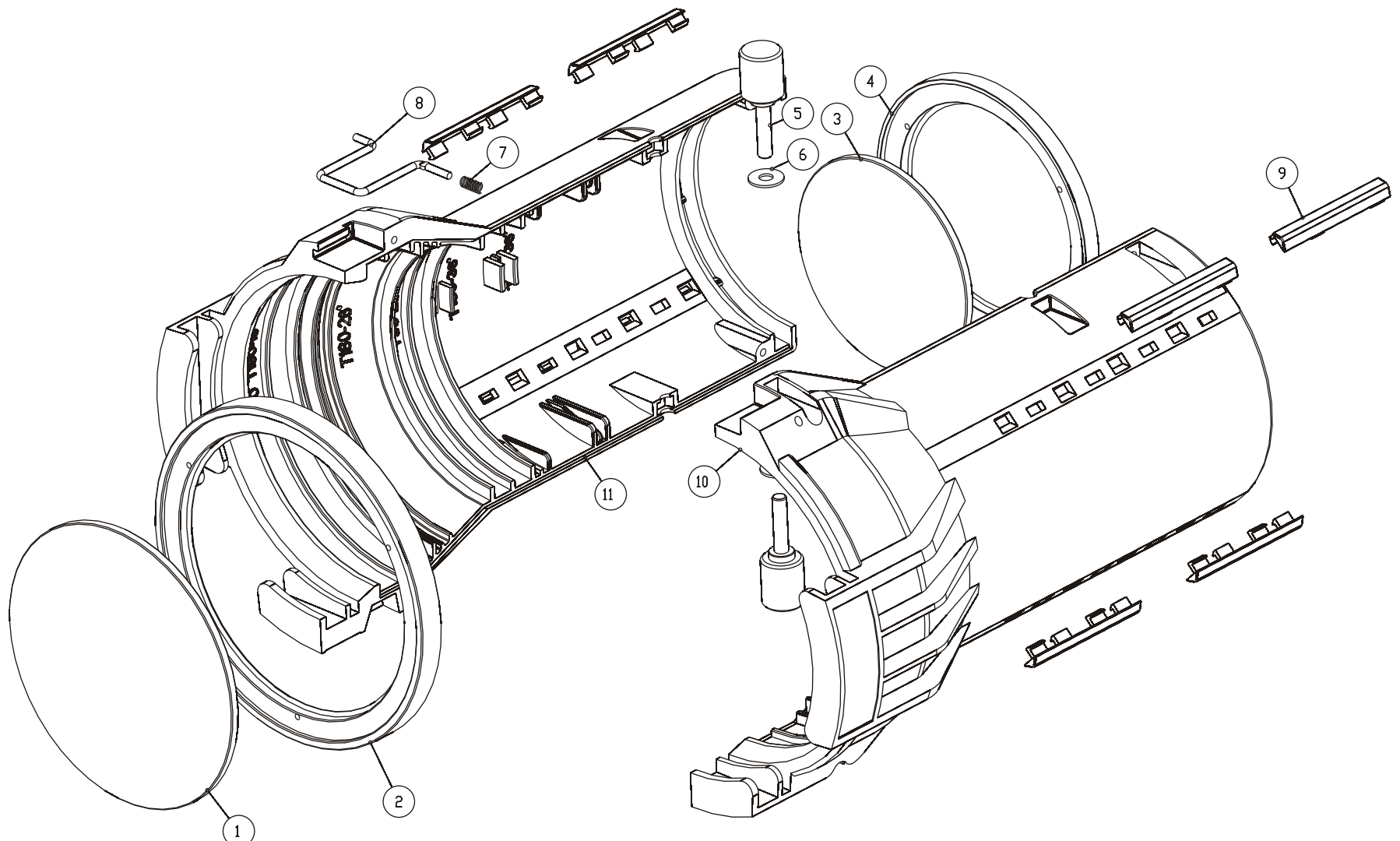
PRODUCT		WW PROFILE			
PIC. NO.		11-0144-02-00-00			
EDIT		FILE NO.	HY-EXP-1372A	PAGE NO.	4/9
CHECK		VERSION	A	DATE	2015.5.25
APPROVE		ECN NO.		DATE	



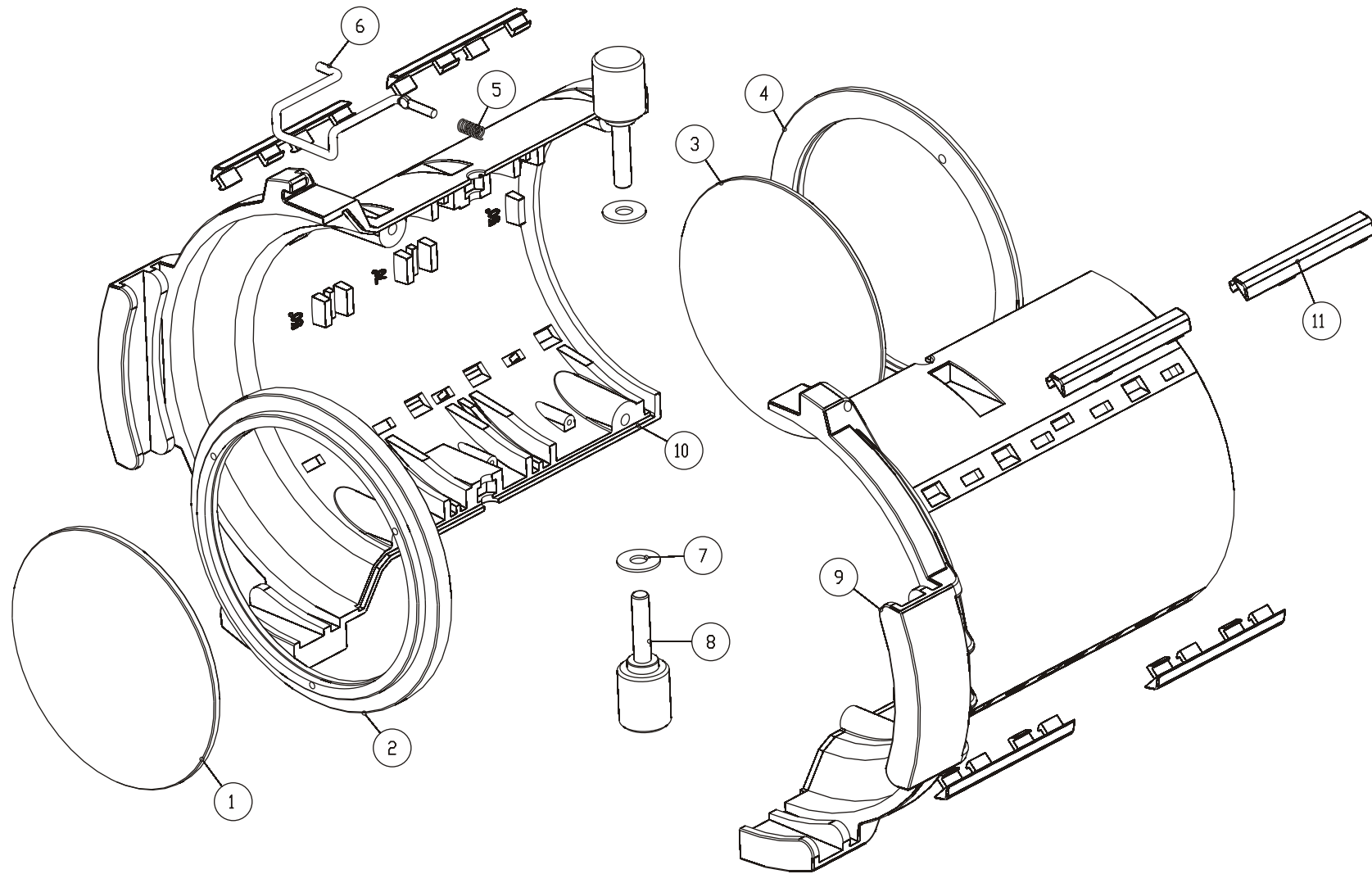
PRODUCT		19 Deg HD Lens for LED Profile			
PIC. NO.		11-0166-03-00-00 (19度镜头)			
EDIT		FILE NO.	HY-EXP-1372A	PAGE NO.	5/9
CHECK		VERSION	A	DATE	2015.5.25
APPROVE		ECN NO.		DATE	



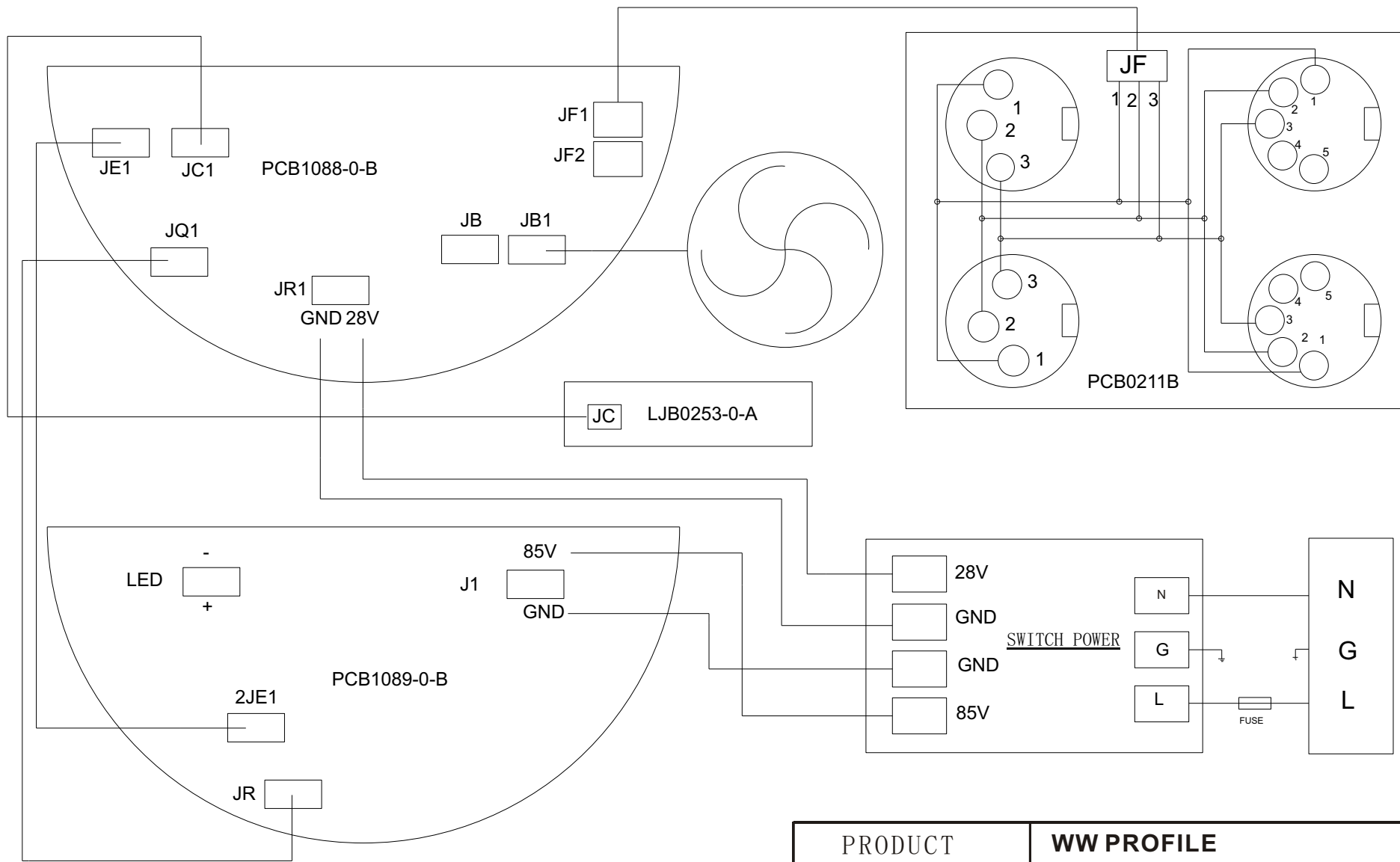
PRODUCT		26 Deg HD Lens for LED Profile			
PIC. NO.		11-0166-03-00-00 (26度镜头)			
EDIT		FILE NO.	HY-EXP-1372A	PAGE NO.	5/9
CHECK		VERSION	A	DATE	2015.5.25
APPROVE		ECN NO.		DATE	



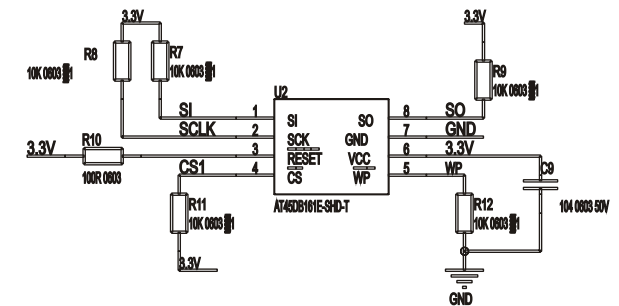
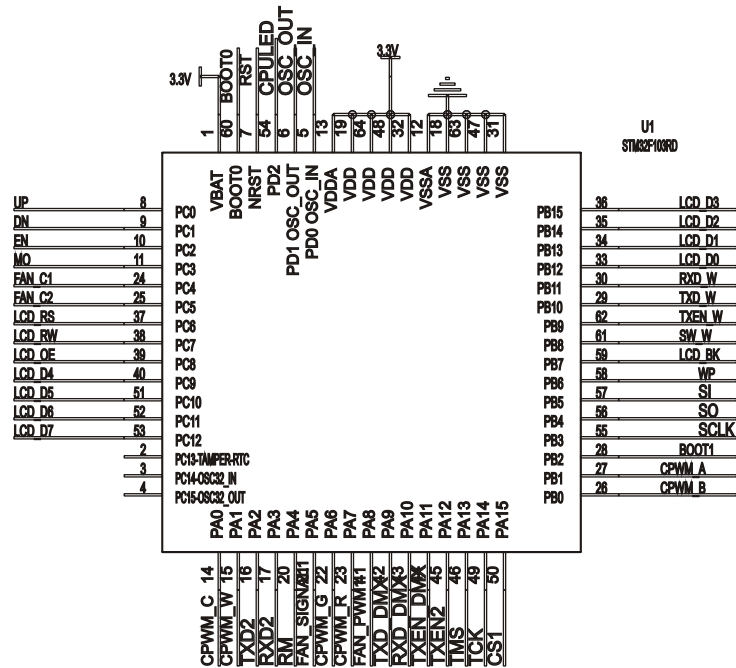
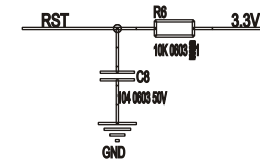
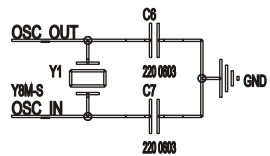
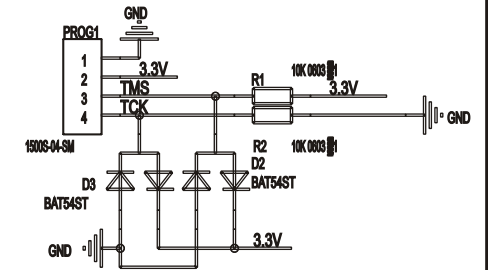
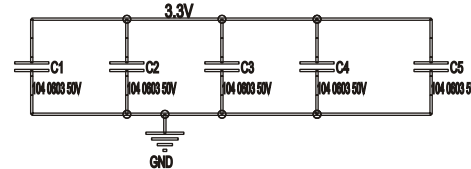
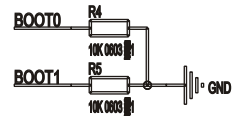
PRODUCT		36 Deg HD Lens for LED Profile			
PIC. NO.		11-0166-03-00-00 (36度镜头)			
EDIT		FILE NO.	HY-EXP-1372A	PAGE NO.	5/9
CHECK		VERSION	A	DATE	2015.5.25
APPROVE		ECN NO.		DATE	



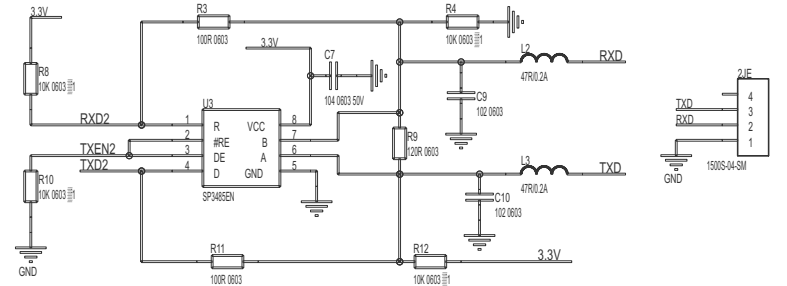
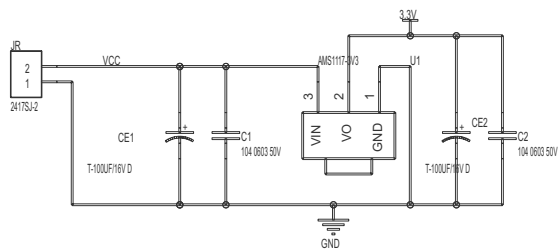
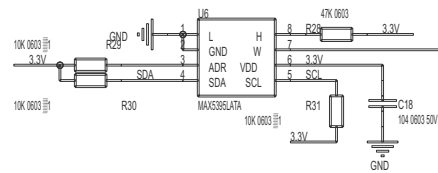
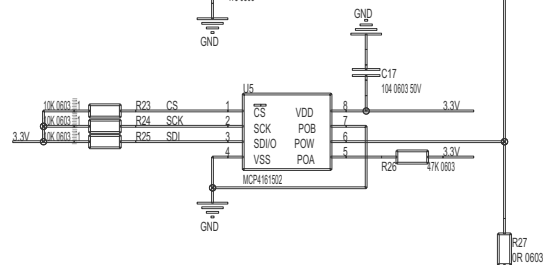
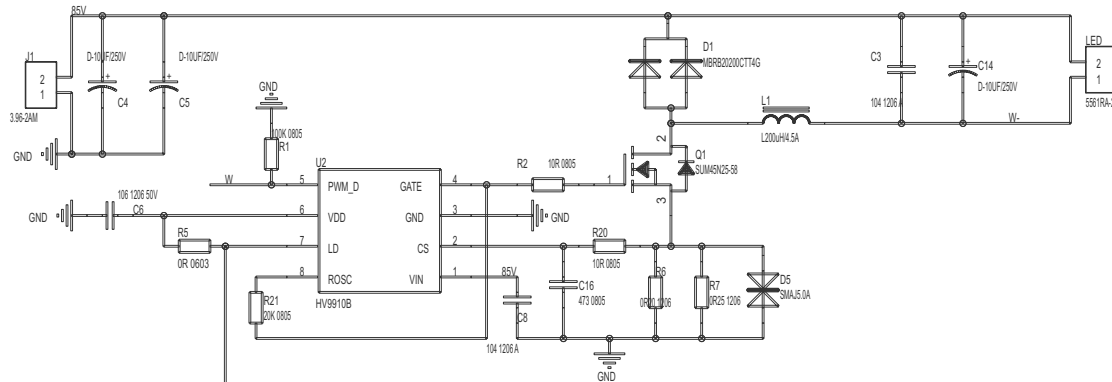
PRODUCT		50 Deg HD Lens for LED Profile			
PIC. NO.		11-0166-03-00-00 (50)			
EDIT		FILE NO.	HY-EXP-1372A	PAGE NO.	5/9
CHECK		VERSION	A	DATE	2015.5.25
APPROVE		ECN NO.		DATE	



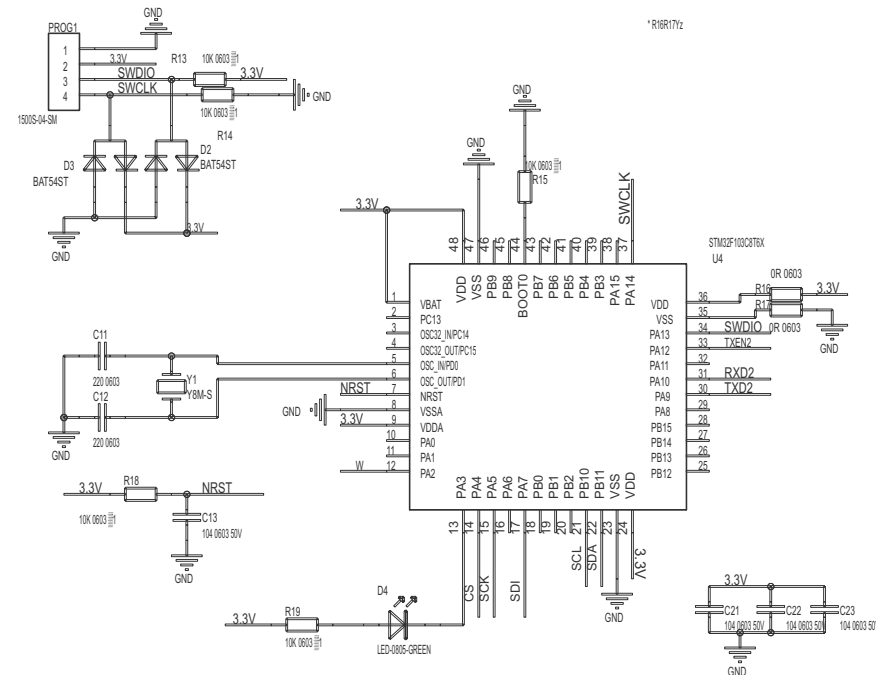
PRODUCT		WW PROFILE			
PIC. NO.		WW PROFILE ELECTRIC			
EDIT		FILE NO.	HY-EXP-1372A	PAGE NO.	6/9
CHECK		VERSION	A	DATE	2015.5.25
APPROVE		ECN NO.		DATE	



PRODUCT		WW PROFILE			
PIC. NO.		PCB1088-0-B SCHEME			
EDIT		FILE NO.	HY-EXP-1372A	PAGE NO.	7/9
CHECK		VERSION	A	DATE	2015.5.25
APPROVE		ECN NO.		DATE	

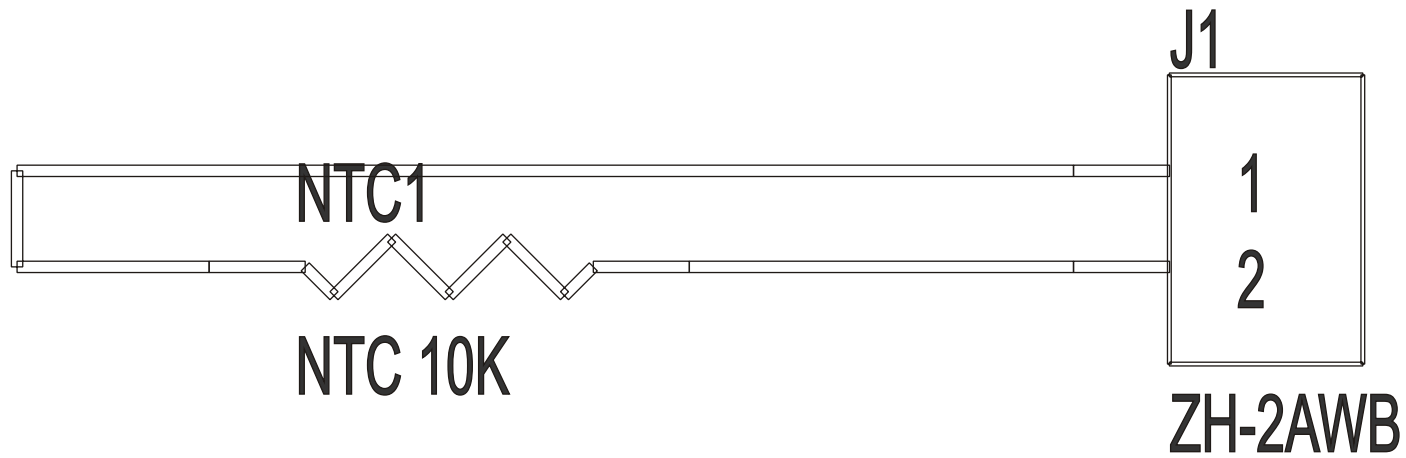


*U3, R4, R8, R12z



*R16R17z

PRODUCT		WW PROFILE			
PIC. NO.		PCB1089-0-B SCHEME			
EDIT		FILE NO.	HY-EXP-1372A	PAGE NO.	8/9
CHECK		VERSION	A	DATE	2015.5.25
APPROVE		ECN NO.		DATE	



PRODUCT		WW PROFILE			
PIC. NO.		LJB0253-0-A SCHEME			
EDIT		FILE NO.	HY-EXP-1372A	PAGE NO.	9/9
CHECK		VERSION	A	DATE	2015.5.25
APPROVE		ECN NO.		DATE	